

# P-EG Industrial Gas Filter Housing

*Stainless steel gas filter housing, industrial grade*

## Product description

P-EG filter housings have been developed for purification of compressed air and technical gases in industrial grade applications. P-EG housings are equipped with pipe-thread or flange connections depending on size, and have an electro-polished or bead-blast surface finish, also depending on size. P-EG housings are designed to yield low differential pressures at high flow rates.

P-EG filter housings are available in 18 different sizes with a capacity range from 35 to 12,700 scfm at 100 psig. Optional connections are also available to adapt the filter to your specific requirements. Standard housings utilize Donaldson filter elements with 2-inch, double o-ring, plug-in connections.

A broad selection of filter elements is available to meet the compatibility and micron rating requirements of your process.



P-EG Industrial Gas Filter Housing

Materials	
Filter housings	304 or 316L stainless steel
Clamp	304 stainless steel
Plug	304 stainless steel
Housing gasket	EPDM (other gaskets on request)

Surface finish	
<b>Inner</b>	
0006-0192	Etched and passivated Ra 1.6
0432-1920	Bead blast
<b>Outer</b>	
0006-0288	etched, passivated, and polished Ra 1.6
0432-1920	Bead blast

Maximum operating pressure	
0006-1920	150 psig
0006-0144 (optional)	250 psig
0192-0288 (optional)	190 psig

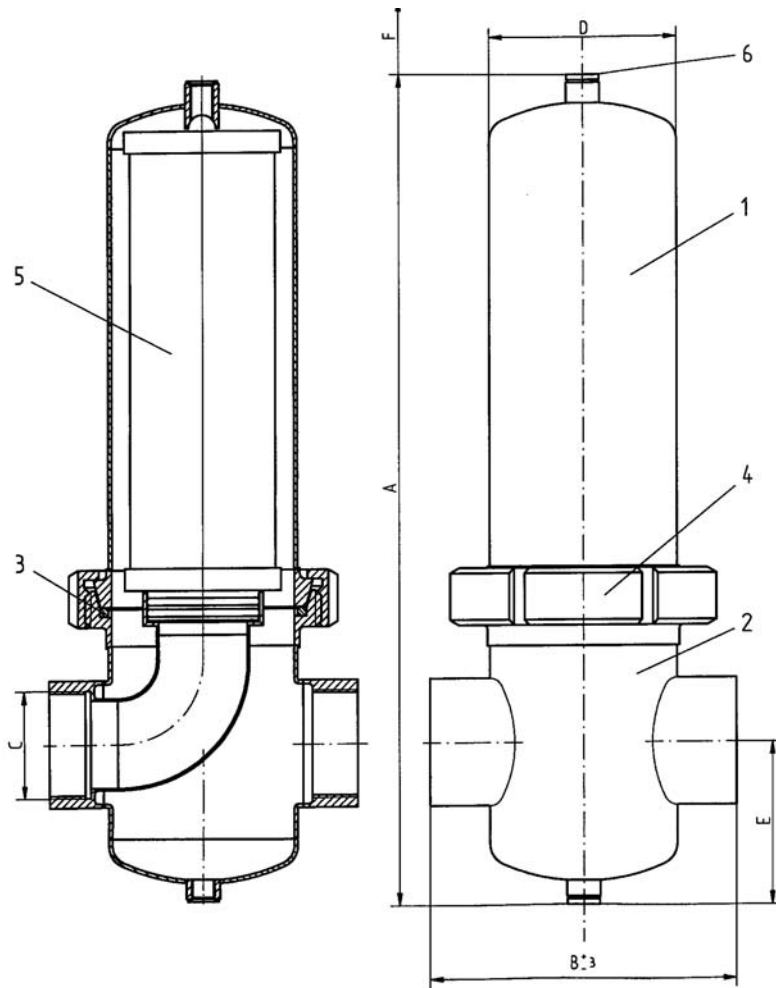
Connection types	
NPT or BSP thread connection (standard for 0006-0288 single housing)	
ANSI or DIN flange (standard starting at 0432; optional up to 0192)	
Weld ends	
Other connections and bigger housings are available on request	

Maximum operating temperature	
Depends on type of the housing,	



**Filter Products Company**  
 Richmond, VA  
<http://fpcfilters.com>  
 (804) 231-4646

P-EG 0006-0288  
with thread connection



Pos.	Piece	Description
1	1	upper housing bowl
2	1	lower housing bowl
3	1	housing gasket
4	1	nut
5	1	filter element
6	2	plug

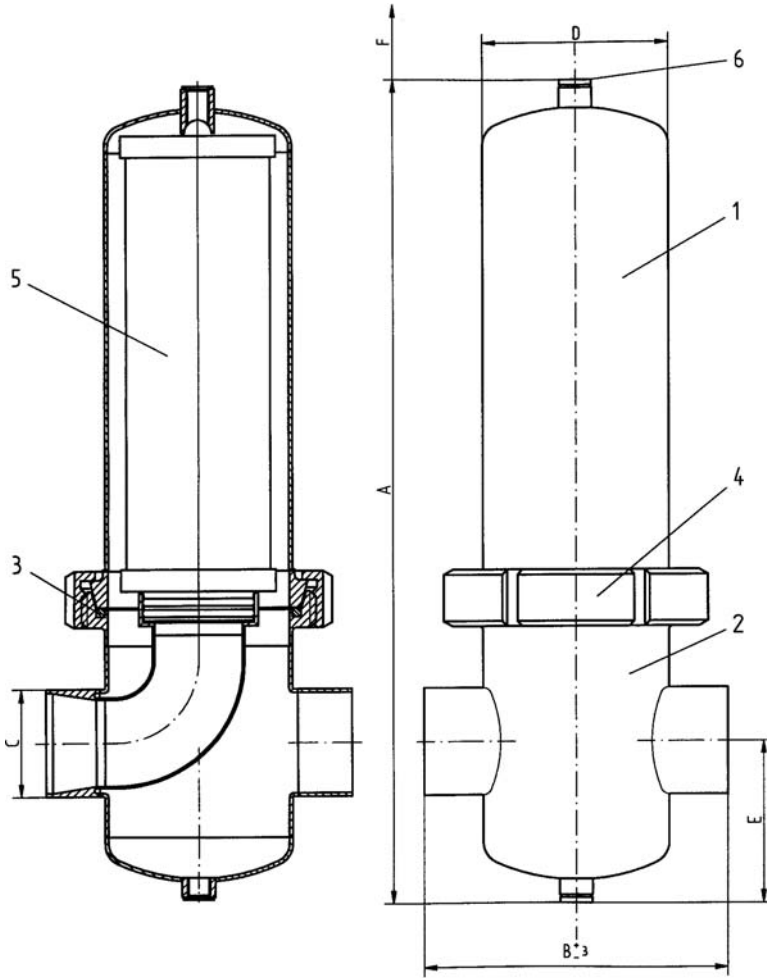
<b>Max. operating pressure</b>	
0006-0288:	150 psig
0006-0144 (optional):	250 psig
0192-0288:	190 psig
<b>Test pressure</b>	
0006-0288:	225 psig
0006-0144 (optional):	375 psig
0192-0288:	285 psig
Operating temperature:	-20 / 390°F
<b>Material</b>	
Housing: 304 or 316L stainless steel	
Attachment parts: 304 stainless steel	
<b>Surface Finish</b>	
Inside Ra 1.6 µm etched and passivated	
Outside Ra 1.6 µm; etched, passivated and polished	

Dimensions									
Type	Volume (gal)	Weight* (lb)	A (inches)	B (inches)	C (inches)	ØD (inches)	E (inches)	F (inches)	Element
0006	0.1	4	8	4.13	0.25 NPT	3	2	4	03/10
0009	0.2	4	10	4.13	0.375 NPT	3	2	5	04/10
0012	0.2	4	10	4.25	0.50 NPT	3	2	5	04/20
0018	0.2	4	10	4.92	0.75 NPT	3	2	6	05/20
0027	0.3	6	12	4.92	1.00 NPT	3	3	6	05/25
0039		7	14	5.51	1.25 NPT	3	3	8	07/25
		9	15	6.70	1.50 NPT	4	4	8	07/30
			18	6.70	2.00 NPT	4	4	11	10/30
			23	6.70	2.00 NPT	4	4	18	15/30
			29	8.50	2.50 NPT	5	4	23	20/30
			39	8.50	3.00 NPT	5	4	33	30/30
			40	9.45	3.00 NPT	6	5	33	30/50



**Filter Products Company**  
Richmond, VA  
<http://fpcfilters.com>  
(804) 231-4646

P-EG 0006-0288  
with buttweld end



Pos.	Piece	Description
1	1	upper housing bowl
2	1	lower housing bowl
3	1	housing gasket
4	1	nut
5	1	filter element
6	2	plug

**Max. operating pressure**

0006-0288:	150 psig
0006-0144 (optional):	250 psig
0192-0288:	190 psig

**Test pressure**

0006-0288:	225 psig
0006-0144 (optional):	375 psig
0192-0288:	285 psig

Operating temperature: -20 / 390°F

**Material**

Housing: 304 or 316L stainless steel  
Attachment parts: 304 stainless steel

**Surface Finish**

Inside Ra 1.6 µm etched and passivated  
Outside Ra 1.6 µm; etched, passivated and polished

**Dimensions**

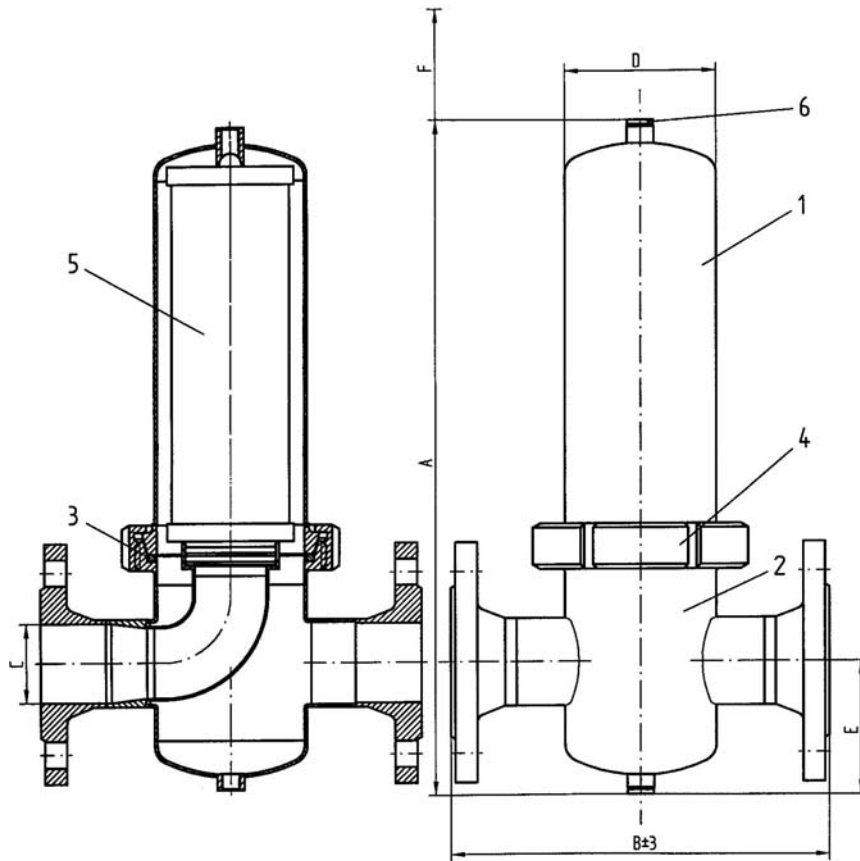
Type	Volume (gal)	Weight* (lb)	A (inches)	B (inches)	C (inches)	ØD (inches)	E (inches)	F (inches)	Element
0006	0.1	4	8	4	0.375	3	2	4	03/10
0009	0.2	4	10	4	0.375	3	2	5	04/10
0012	0.2	4	10	4	0.50	3	2	5	04/20
0018	0.2	4	10	5	0.75	3	2	6	05/20
0027	0.3	6	12	5	1.00	3	3	6	05/25
0039		7	14	6	1.25	3	3	8	07/25
		9	15	7	1.50	4	4	8	07/30
			18	7	2.00	4	4	11	10/30
			23	7	2.00	4	4	18	15/30
			29	8	2.50	5	4	23	20/30
			39	8	3.00	5	4	33	30/30
			40	9	3.00	6	5	33	30/50



**Filter Products Company**  
Richmond, VA  
<http://fpcfilters.com>  
(804) 231-4646

**P-EG 0006-0288**

with flange connection ANSI 150 lb



Pos.	Piece	Description
1	1	upper housing bowl
2	1	lower housing bowl
3	1	housing gasket
4	1	nut
5	1	filter element
6	2	plug

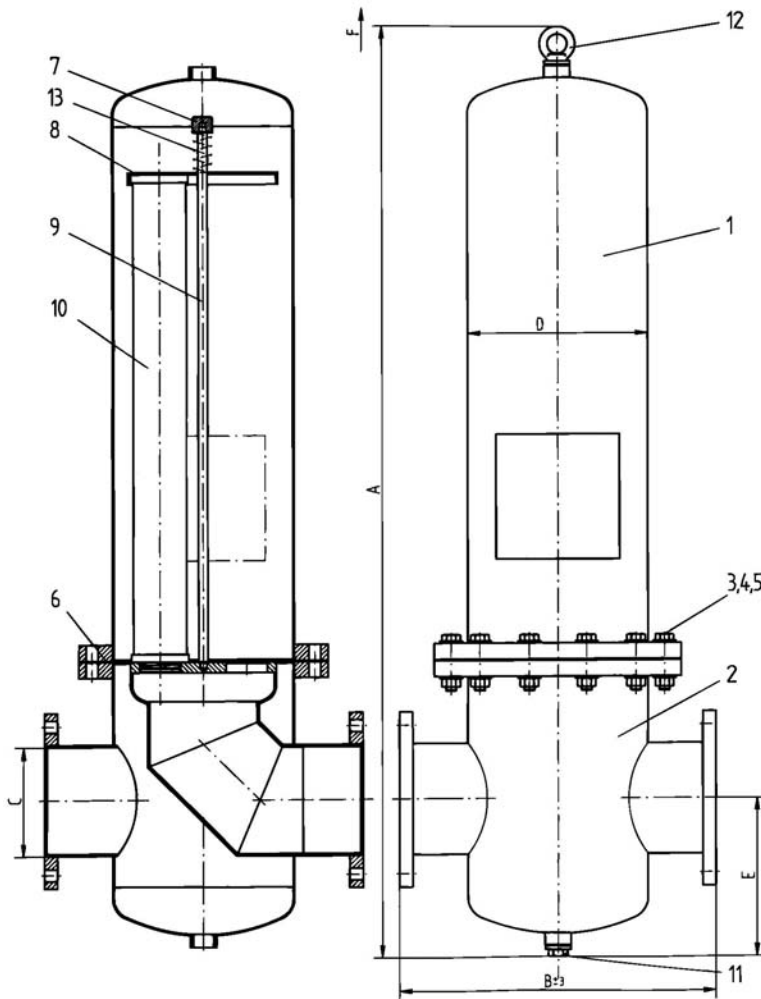
<b>Max. operating pressure</b>	
0006-0288:	150 psig
0006-0144 (optional):	250 psig
0192-0288:	190 psig
<b>Test pressure</b>	
0006-0288:	225 psig
0006-0144 (optional):	375 psig
0192-0288:	285 psig
Operating temperature:	-20 / 390°F
<b>Material</b>	
Housing: 304 or 316L stainless steel	
Attachment parts: 304 stainless steel	
<b>Surface Finish</b>	
Inside Ra 1.6 µm etched and passivated	
Outside Ra 1.6 µm; etched, passivated and polished	

Dimensions									
Type	Volume (gal)	Weight* (lb)	A (inches)	B (inches)	C** (inches)	ØD (inches)	E (inches)	F (inches)	Element
0006	0.1	6	8	8.00	0.50	3	2	4	03/10
0009	0.2	6	10	8.00	0.50	3	2	5	04/10
0012	0.2	7	10	8.00	0.50	3	2	5	04/20
0018	0.2	9	10	9.00	0.75	3	2	6	05/20
0027	0.3	11	12	9.69	1.00	3	3	6	05/25
0036		14	14	10.00	1.25	3	3	8	07/25
0045		18	15	11.58	1.50	4	4	8	07/30
0054		23	18	11.69	2.00	4	4	11	10/30
0063		29	23	11.69	2.00	4	4	18	15/30
0072		39	29	13.39	2.50	5	4	23	20/30
0081		40	39	13.39	3.00	5	4	33	30/30
0090		40	40	14.96	3.00	6	5	33	30/50



**Filter Products Company**  
 Richmond, VA  
<http://fpcfilters.com>  
 (804) 231-4646

**P-EG 0432-1920**  
with flange connection



Pos.	Description
1	upper housing bowl
2	lower housing bowl
3	hexagon bolt
4	washer
5	nut
6	gasket
7	bracket bolt
8	bracket plate
9	anchor bolt
10	filter element
11	plug
12	lifting eye bolts
13	spring

Max. operating pressure:	150 psig
Operating temperature:	-20 / 390°F
<b>Material</b>	
Housing: 304 stainless steel	
Attachment parts: 304 stainless steel	
<b>Surface Finish</b>	
Etched and passivated	

Dimensions									
Type	Volume (gal)	Weight* (lb)	A (inches)	B (inches)	C** (inches)	ØD (inches)	E (inches)	F (inches)	Element
0432	9.5	95	36.7	16.14	4	8.6	7.3	23	3x20/30
0576	11.9	97	47.0	16.14	4	8.6	7.3	33	3x30/30
0768	20.3	154	51.3	18.90	6	10.8	8.2	33	4x30/30
1152	29.1	176	54.8	21.26	6	12.8	8.8	33	6x30/30
1536	50.2	298	58.8	25.98	8	16.0	12.3	33	8x30/30
		298	58.8	25.98	8	16.0	12.3	33	10x30/30



**Filter Products Company**  
Richmond, VA  
<http://fpcfilters.com>  
(804) 231-4646



**P-EG Industrial  
Gas Filter Housing**



*when* **PURITY COUNTS...**



**Filter Products Company**  
Richmond, VA  
<http://fpcfilters.com>  
(804) 231-4646

Donaldson Company, Inc.  
Filtration  
Box 1299  
Minneapolis, MN  
55440-1299 U.S.A.

Tel 800.543.3634 (USA)  
Tel 800.343.3639 (within Mexico)  
[processfilters@mail.donaldson.com](mailto:processfilters@mail.donaldson.com)  
[www.donaldson.com](http://www.donaldson.com)

Information in this document  
is subject to change without notice.

© 2007 Donaldson Company, Inc.  
Printed in U.S.A. on recycled paper

Bulletin No. PRO-210