

PF-EG Sanitary Liquid Filter Housing

Stainless steel filter housing for sanitary applications

Product Description

PF-EG filter housings are designed for filtration of liquids and beverages such as process water, mineral water, beer, wine, soft drinks, juice and other products. PF-EG housings are equipped with sanitary Tri-clamp connections and have internal and external electropolished surface finishes of Ra 30. The top of the housing is equipped with a 1½" Tri-clamp connection for ancillary equipment such as pressure relief valves or pressure gauges. The lowest point of the housing is equipped with a pharma valve. PF-EG housings are designed to yield low differential pressures at high flow rates.

PF-EG filter housings are available in 12 different sizes with a capacity range from 1.5 to 160 gpm depending on element selection. Standard housings utilize Code 7 (P7) filter elements with 226 o-rings, bayonet connection and centering fin adapter. Our selection of filter elements is broad enough to exactly meet the compatibility and micron rating requirements of your process.



PF-EG Sanitary Liquid Filter Housing

Materials	
Filter housing	316L stainless steel
Housing gasket	EPDM (other gaskets on request)

Surface finish	
Superplus 0003-0600	Electropolished Ra 30

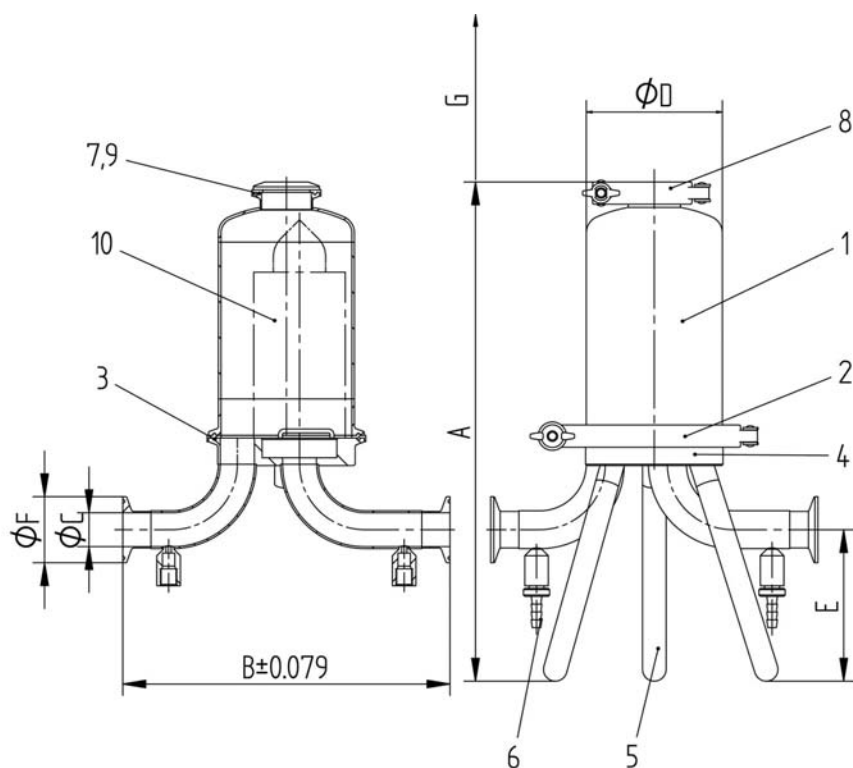
Maximum operating temperature
Depends on the filter element and the sealing of the housing, up to 300°F

Maximum operating pressure
150 psig at 300°F (with)



Filter Products Company
 Richmond, VA
<http://fpcfilters.com>
 (804) 231-4646

PF-EG 0003-0075
with clamp connection



Pos.	Description
1	upper housing bowl
2	clamp fastener
3	clamp gasket
4	lower housing bowl
5	leg
6	pharma valve (Superplus)
7	clamp cap
8	clamp fastener
9	clamp gasket
10	filter element (Code 7 connection)

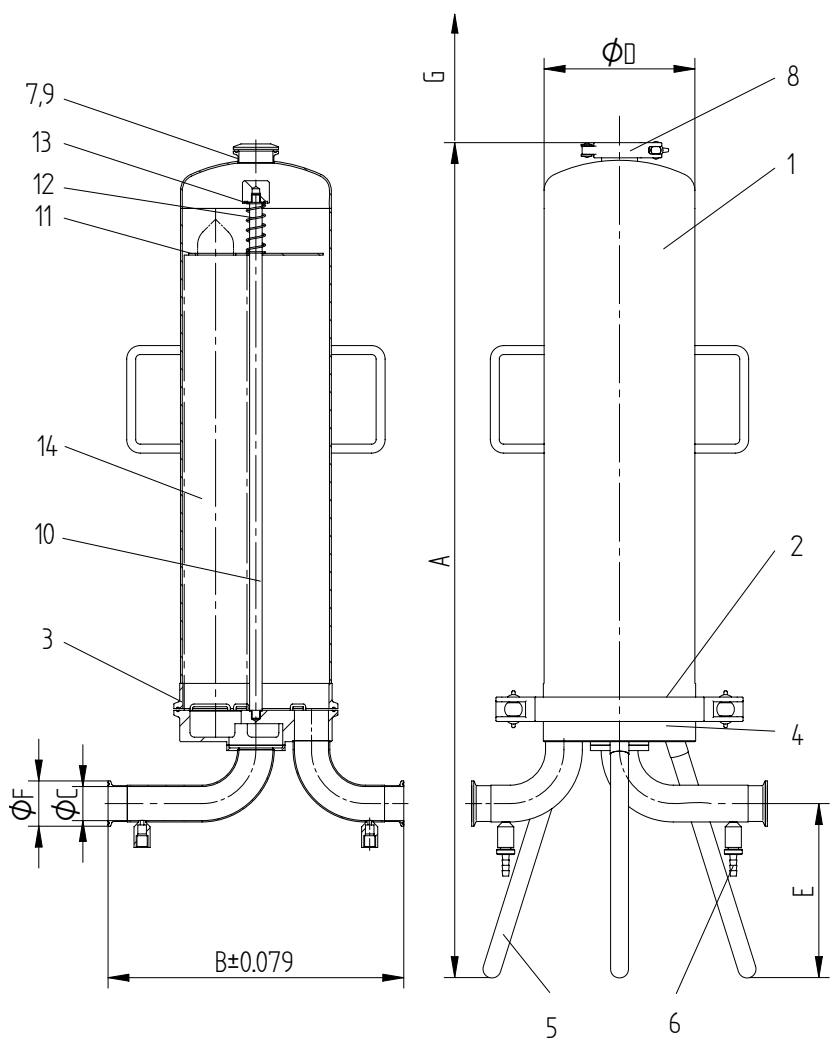
Max. operating pressure:	150 psig
Max. operating temperature:	300°F
Test pressure:	225 psig
Material	
Housing:	316L stainless steel
Attachment parts:	304 stainless steel
Surface finish	
Superplus:	inner and outer electropolished Ra 30

Dimensions										
Type	Volume (ft ³)	Weight* (lb)	A (inches)	B (inches)	ØC (inches)	ØD (inches)	E (inches)	ØF (inches)	G (inches)	Element
0003	0.011	3.1	11.0	3.937	0.5	2.756	3.9	0.98	4	3/10 Code 7
0012	0.053	8.6	14.8	9.843	1.0	4.094	4.2	1.98	6	5/3 Code 7
0025	0.088	10.6	19.9	9.843	1.0	4.094	4.2	1.98	11	10/3 Code 7
0050	0.159	13.5	30.1	9.843	1.0	4.094	4.2	1.98	23	20/3 Code 7
0075	0.233	16.3	40.4	9.843	1.0	4.094	4.2	1.98	33	30/3 Code 7

*Without filter element, legs included



PF-EG 0080-0600
with clamp connection



Pos.	Description
1	upper housing bowl
2	v-clamp, swing clamp, swing bolt
3	clamp gasket
4	lower housing bowl
5	leg
6	pharma valve
7	clamp cap
8	clamp fastener
9	clamp gasket
10	tie rod
11	bracket plate
12	spring
13	tension nut
14	filter element (code 7 connection)

Max. operating pressure:	150 psig
Max. operating temperature:	300°F
Test pressure:	195 psig
Material	
Housing:	316L stainless steel
Attachment parts:	304 stainless steel
Surface finish	
Superplus:	inner and outer electropolished Ra 30

Dimensions										
Type	Volume (ft ³)	Weight* (lb)	A (inches)	B (inches)	ØC (inches)	ØD (inches)	E (inches)	ØF (inches)	G (inches)	Element
0080	0.234	29.8	25.7	13	1.0	6.62	7.0	1.988	11	3x10/3 Code 7
0150	0.421	38.2	37.2	14	1.5	6.62	7.8	1.988	23	3x20/3 Code 7
0225	0.607	45.1	47.2	14	1.5	6.62	7.8	1.988	33	3x30/3 Code 7
0250	0.735	91.2	40.6	17	2.0	8.62	8.1	2.559	23	5x20/3 Code 7
			49.3	17	2.0	8.62	8.1	2.559	33	5x30/3 Code 7
			41.3	20	2.5	12.00	8.1	3.583	23	8x10/3 Code 7
			51.3	20	3.0	12.00	8.1	3.583	33	8x30/3 Code 7



Filter Products Company
Richmond, VA
<http://fpcfilters.com>
(804) 231-4646



**PF-EG Sanitary Liquid
Filter Housing**



when
PURITY COUNTS...



Filter Products Company
Richmond, VA
<http://fpcfilters.com>
(804) 231-4646

Donaldson Company, Inc.
Filtration
Box 1299
Minneapolis, MN
55440-1299 U.S.A.

Tel 800.543.3634 (USA)
Tel 800.343.3639 (within Mexico)
processfilters@mail.donaldson.com
www.donaldson.com

Information in this document
is subject to change without notice.

© 2007 Donaldson Company, Inc.
Printed in U.S.A. on recycled paper

Bulletin No. PRO-212