

P-BE Stainless Steel Tank Vent Filter Housing

Filter housing for the aeration and de-aeration of sterile storage tanks or containers for transport.

Product description

Our P-BE filter housings are used for sterile ventilation of stationary and mobile storage tanks used in the food, beverage, pharmaceutical, chemical and other industries. The 2-piece housing is designed to prevent liquids from coming into contact with the element itself.

The P-BE tank vent filter is available in 12 sizes with flow rates ranging from 1 to 1,200 cfm (at ambient pressure).

Choose the Filter to Suit Your Application

The P-BE vent housing is usually used in conjunction with our Ultradepth II P-BE vent filter element to assure sterile ventilation with very little pressure drop or air resistance. However, it can be used with many other filter types to meet your specific need.



P-BE stainless steel housing for venting storage and holding tanks. Can accommodate a variety of filter element types

Materials

Filter housings 304 or 316L stainless steel

Maximum operating temperature

390°F

Connection types

Tri-Clamp (models 0006 - 0192)
ANSI flange (models 0432 - 1920)

Surface finish

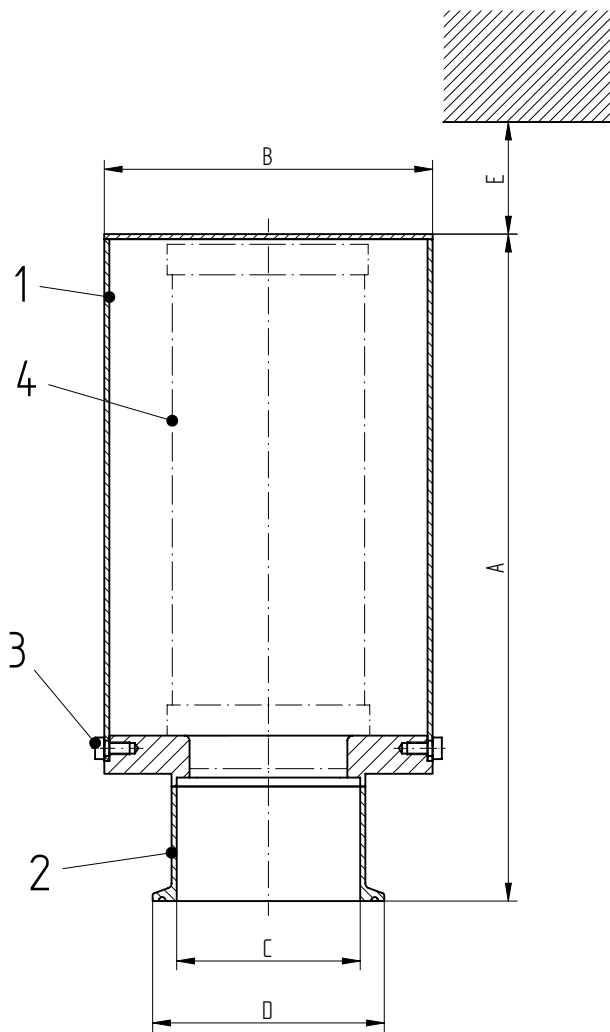
Electropolished to Ra 30



Filter Products Company
Richmond, VA
<http://fpcfilters.com>
(804) 231-4646

*Teflon® of E.I. du Pont de Nemours and Company

Vent filter P-BE 0006-0192
with Tri-clamp connection



Pos.	Piece	Description
1	1	upper housing bowl
2	1	lower housing bowl
3	3	socket head screw
4	1	filter element

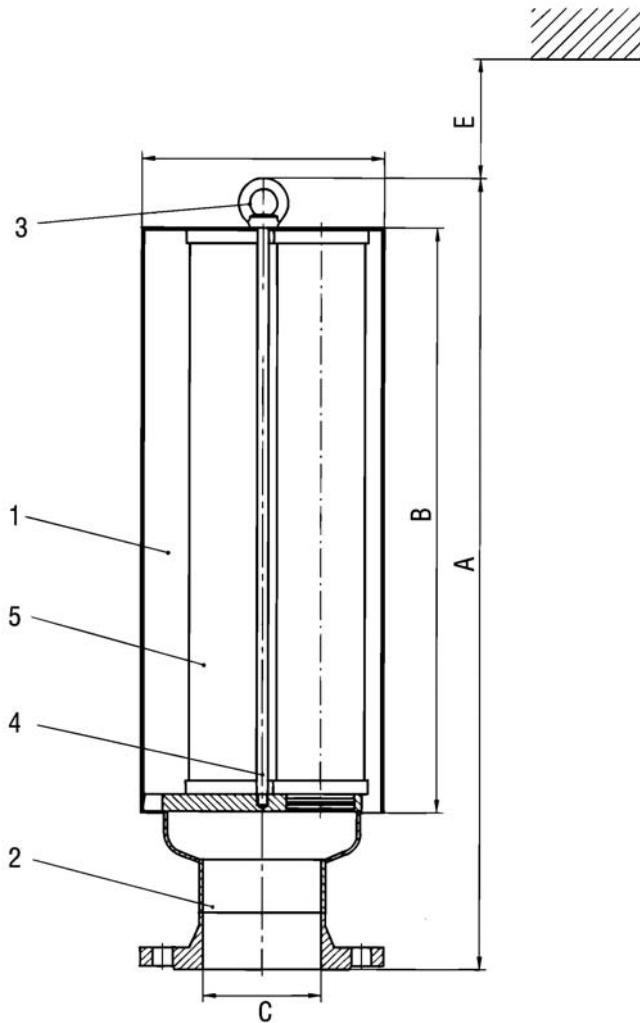
Max. operating temperature	390°F
Material	
Housing:	304 or 316L stainless steel
Attaching parts:	304 stainless steel
Surface Finish	
	Finished inside, polished outside

Dimensions							
Size	Weight* (lb)	A (inches)	ØB (inches)	C (inches)	ØD (inches)	E (inches)	Element
0006	3.3	4.7	3.3 x 0.08	1.5	2	4	03/10
0027	4.8	7.1	4.1 x 0.08	1.5	2	6.1	05/25
0032	5.3	7.1	4.5 x 0.08	2	2.5	6.1	05/30
0072	7.3	12.2	5.1 x 0.08	2	2.5	11	10/30
0144	20.3	22.8	5.1 x 0.08	3	3.6	22.8	20/30
		32.7	5.1 x 0.08	3	3.6	33.5	30/30



Filter Products Company
Richmond, VA
<http://fpcfilters.com>
(804) 231-4646

Vent filter P-BE 0432-1920
with ANSI flange connection



Pos.	Description
1	upper housing bowl
2	lower housing bowl
3	lifting eye screw
4	anchor bolt
5	filter element

Max. operating temperature	390°F
Material	
Housing:	304 or 316L stainless steel
Attaching parts:	304 stainless steel
Surface Finish	
Finished inside, polished outside	

Dimensions							
Type	Weight* (lb)	A (inches)	B (inches)	C 150 lb, ANSI B 16.5 (inches)	ØD (inches)	E (inches)	Element
0432	32.5	26.4	20.9	4	8.7	21.6	3 x 20/30
0576	39	36.4	30.7	4	8.7	31.5	3 x 30/30
0768	46.5	36.8	30.7	4	10.8	31.5	4 x 30/30
1152	66.5	37.4	30.7	6	12.8	31.5	6 x 30/30
1536	89	37.4	30.7	6	15.5	31.5	8 x 30/30
		27.8	30.7	8	15.5	31.5	10 x 30/30



Filter Products Company
Richmond, VA
<http://fpcfilters.com>
(804) 231-4646



**P-BE Stainless Steel
Tank Vent Filter Housing**



when **PURITY COUNTS...**



Filter Products Company
Richmond, VA
<http://fpcfilters.com>
(804) 231-4646

Donaldson Company, Inc.
Filtration
Box 1299
Minneapolis, MN
55440-1299 U.S.A.

Tel 800.543.3634 (USA)
Tel 800.343.3639 (within Mexico)
processfilters@mail.donaldson.com
www.donaldson.com

Information in this document
is subject to change without notice.

© 2007 Donaldson Company, Inc.
Printed in U.S.A. on recycled paper

Bulletin No. PRO-213